



OMEGA R-LINE™ 4000

CUTTING-PRINTING LINE
FOR POLYAMIDE AND SANTOPRENE TUBES

FREEDOM OF CHOICE OF INTEGRATION

Lead time:

16 weeks

Precise and fast cutting

1 m/1 sec.

Cutting speed with printing

60 m/1 min.

Quick changeovers to a different diameter

Possibility of cutting tubes in various sizes,
from **ø4** to **ø30**

Large GS800R decoiler with mechanical
adjustment and electric drive



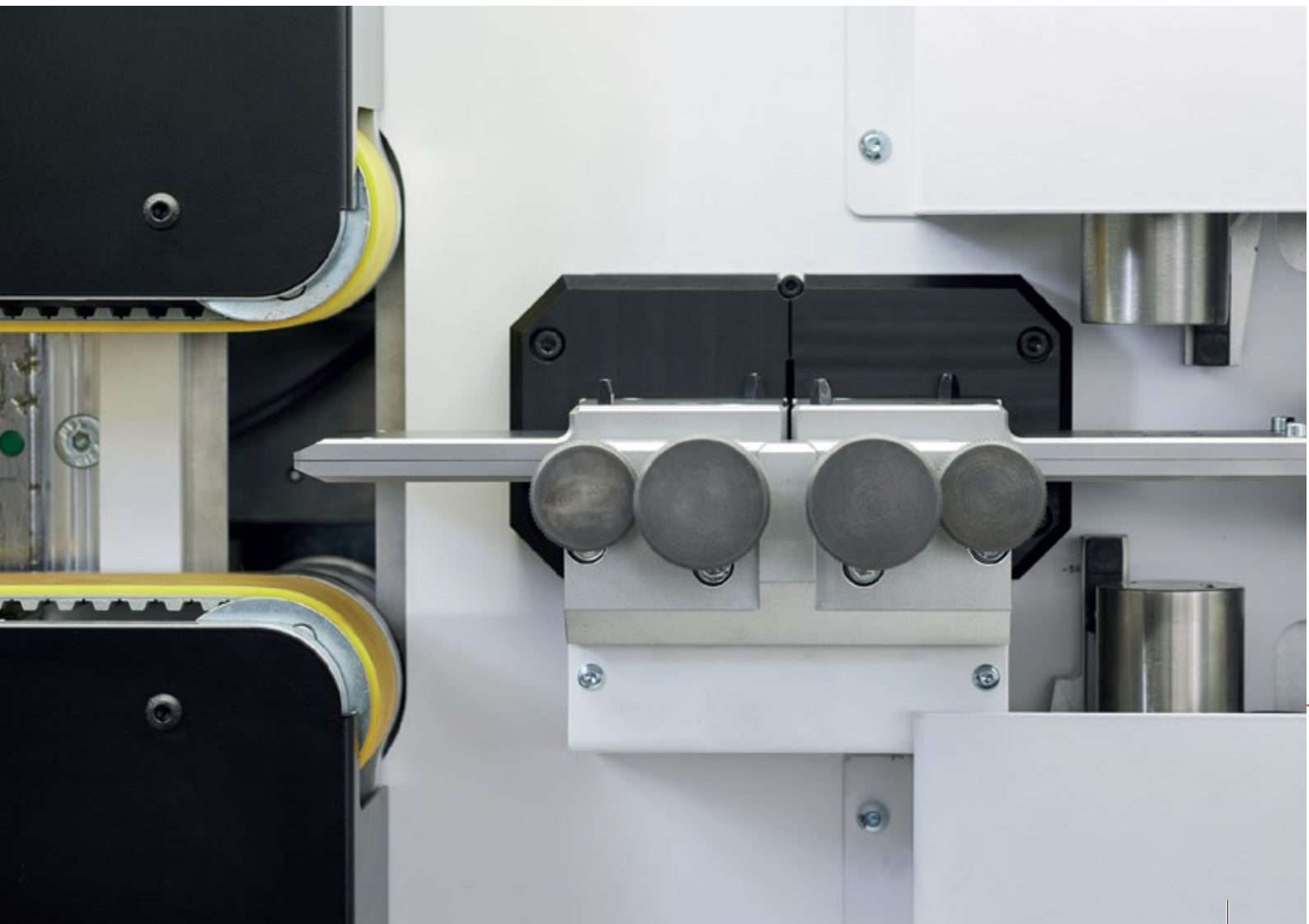


Thanks to the automatic measurement and correction system for cutting and printing position, it is very precise.

OMEGALINE, EQUIPPED WITH A COMPUTER, A WIRELESS MOUSE (BOTH IN AN INDUSTRIAL STANDARD) AND INTUITIVE SOFTWARE, ENSURES GREAT COMFORT AND ERGONOMICS OF THE OPERATOR'S WORK.

SYSTEM OF KNIVES AND SLEEVE GUIDES

The device uses a set of guides consisting of an inlet and an outlet sleeve, which allows the tube to be guided behind and in front of the knife. The cutting unit drivers are PLC Siemens. The knives can be changed very easily, without the use of specialized tools.

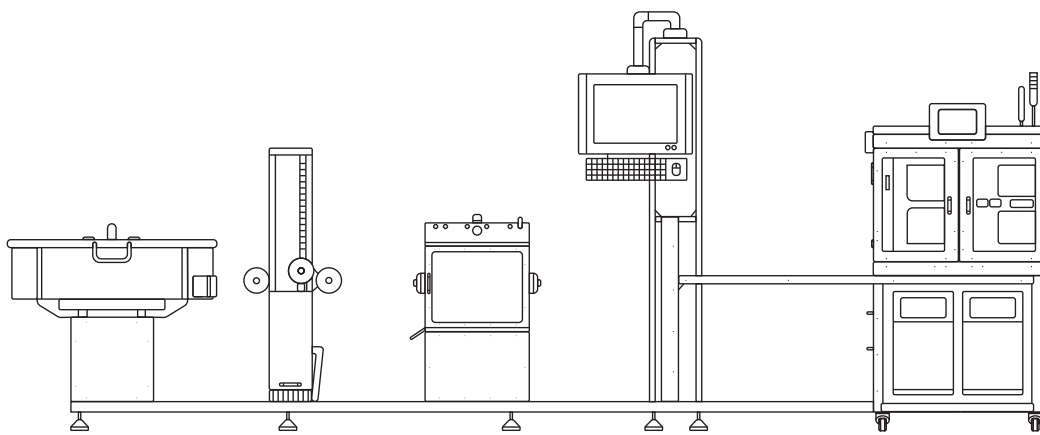




SERIAL PORT
LOCATION

OMEGA R-line

Multipurpose line of machines for cutting and printing descriptions of plastic tubes of various types.



GS 800R	CL 100R	OMEGA 200	CL 200R	OMEGA 400
Horizontal decoiler with electric drive and brake	Tube stretcher with a buffer zone	Belt-driven winch	Computer station	Cutting machine with printing module

Omega R-line has been designed in a way that allows integration with a printing tool or a marking laser selected by the customer.

CONSTRUCTION

All connecting and construction elements are made of Bosch-Rexroth profiles with a channel end cap. The base of the cutter is made of compatible load-bearing elements. It is possible to attach the machine to the ground.

HIGH SPEED OF WORK

One of the biggest advantages of the Omega R-line is the speed at which it cuts and prints:

cutting speed approx. 1 m/1 sec.

cutting speed with printing approx. 60 m/1 min.

**Line for cutting and printing
different types of tubes in the range of
ø4mm - ø30mm:**

→ PA

→ PA-PUR (Santoprene)

→ PA-TPE

→ Grilamid

→ NW10 wellrohr corrugated tubes

→ brake lines

→ fuel lines

DANIROB

ADEQUATE HUMAN, INFRASTRUCTURAL AND FINANCIAL RESOURCES TO TAKE UP AMBITIOUS CHALLENGES

FOR MORE INFO VISIT www.dan-rob.com



Hello, there's
the PDF Catalog
waiting

+48 690 509 896

office@dan-rob.com



Office address:

ul. Przemysłowa 15 | 30-701 Kraków | Polska | VAT No. PL6762434728